

Laser Diode Sockets



- Compact miniature socket size for maximum board density
- Accommodates most any TO package format with pin circle options of 2 mm or .100", including popular laser diode devices
- 3 and 4 lead options available
- Accommodates leads of .45 mm diameter
- Funneled entry holes to assist lead insertion

TS-0406-C
Sheet 1 of

42

Physical

Insulation

Material: Glass Reinforced Polysulfone
Flammability: UL 94V-0
Color: Green

Outer Contact

Material: Copper Alloy

Inner Contact

Material: Beryllium Copper
Plating: Outer Sleeve: SnPb Solder
Inner Contact: Gold Flash over 50 μ " (1.27 μ m) Nickel

Electrical

Current Rating: 1 Amp
Insulation Resistance: $> 1 \times 10^{12} \Omega$ at 500 Vdc
Withstanding Voltage: 1000 Vrms at Sea Level

Environmental

Temperature Rating: -67°F to $+302^{\circ}\text{F}$
(-55°C to $+150^{\circ}\text{C}$)

3M Electronic Products Division

6801 River Place Blvd.
Austin, TX 78726-9000

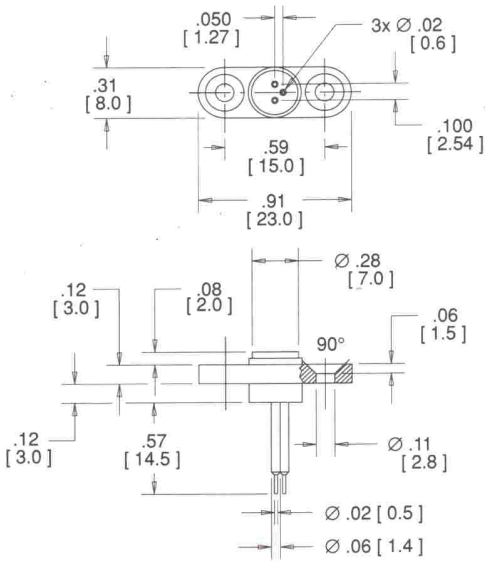
108

For technical, sales or ordering information
800-328-

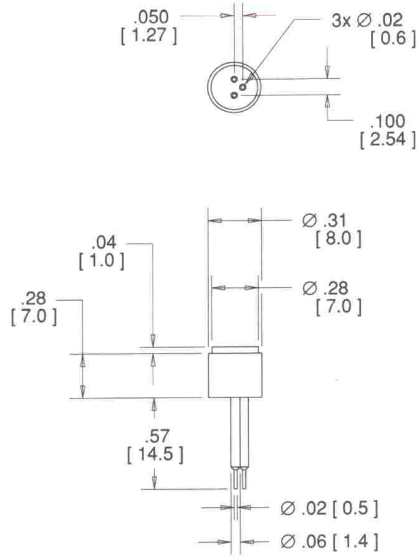
Laser Diode Sockets

SHEET 2 OF 3

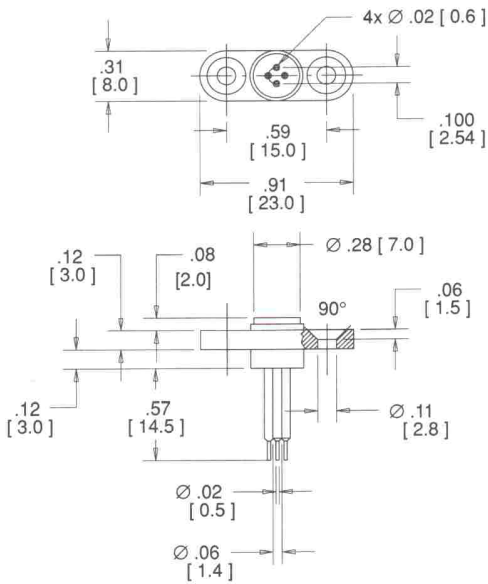
2-0003-06585-000-006-003



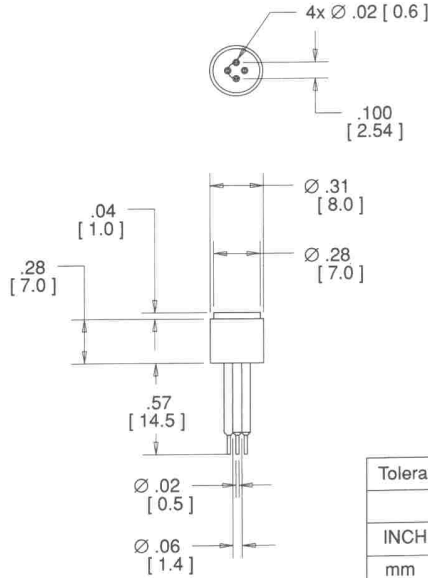
2-0003-06585-050-006-003



2-0004-06585-000-006-003



2-0004-06585-050-006-003



INCH
[mm]

Tolerance Unless Noted			
	.0	.00	.000
INCH	±.1	±.01	±.005
mm	±.3	±.13	

TS-0406-02

ORDERING INFORMATION

SOCKET PART NUMBER	LEAD COUNT	PIN CIRCLE	MOUNTING FLANGE
2-0003-06585-000-006-003	3	.100" [2.54]	YES
2-0003-06585-050-006-003	3	.100" [2.54]	NO
2-0003-06970-000-006-003	3	.079" [2.0]	YES
2-0003-06970-050-006-003	3	.079" [2.0]	NO
2-0004-06585-000-006-003	4	.100" [2.54]	YES
2-0004-06585-050-006-003	4	.100" [2.54]	NO
2-0004-06970-000-006-003	4	.079" [2.0]	YES
2-0004-06970-050-006-003	4	.079" [2.0]	NO

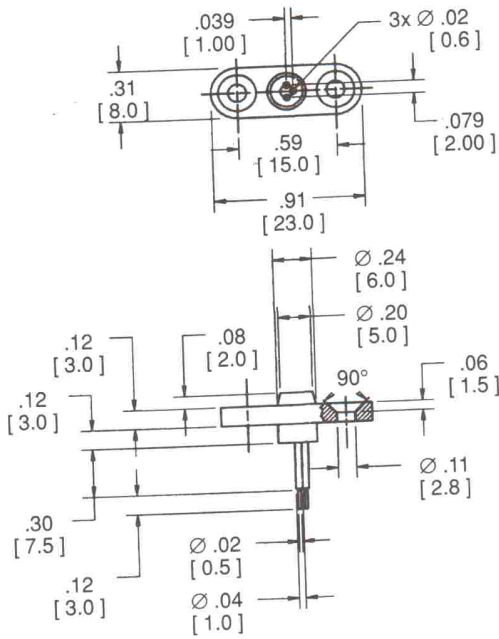
3M Electronic Products Division

6801 River Place Blvd.
Austin, TX 78726-9000

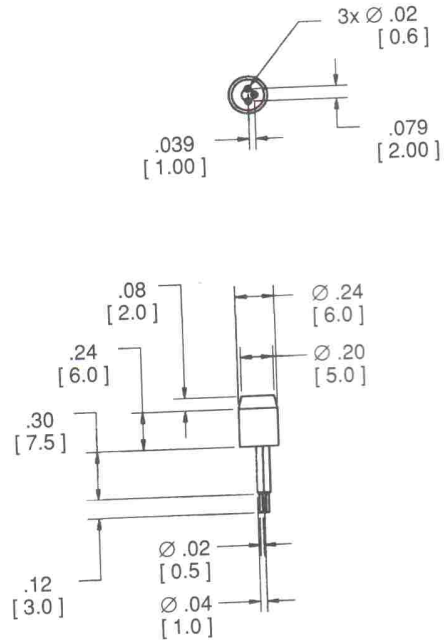
Laser Diode Sockets

SHEET 3 OF 3

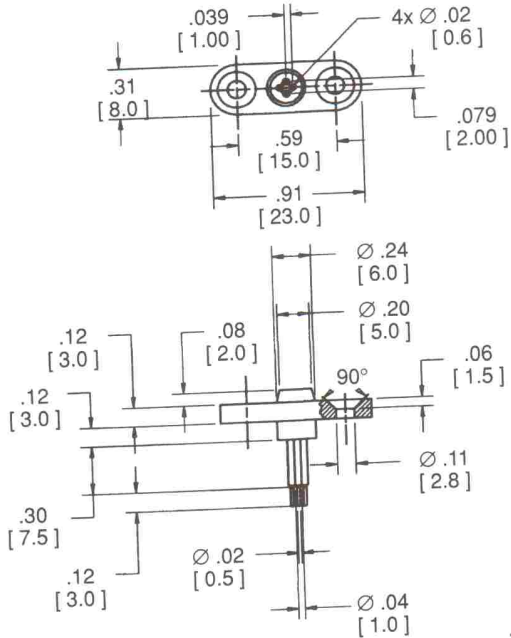
2-0003-06970-000-006-003



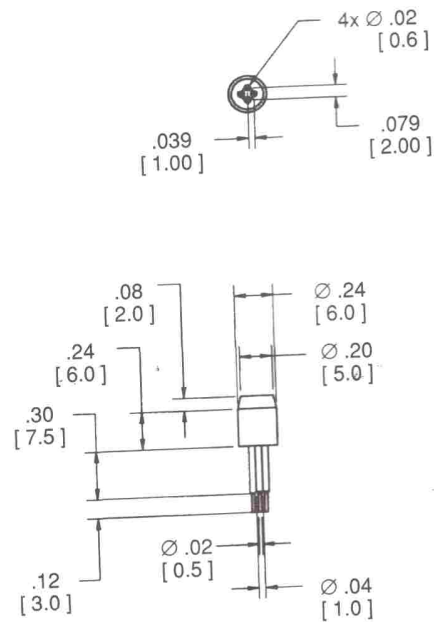
2-0003-06970-050-006-003



2-0004-06970-000-006-003



2-0004-06970-050-006-003



INCH
[mm]

Tolerance Unless Noted			
	.0	.00	.000
INCH	±.1	±.01	±.005
mm	±.3	±.13	///

3M Electronic Products Division
6801 River Place Blvd.
Austin, TX 78726-9000