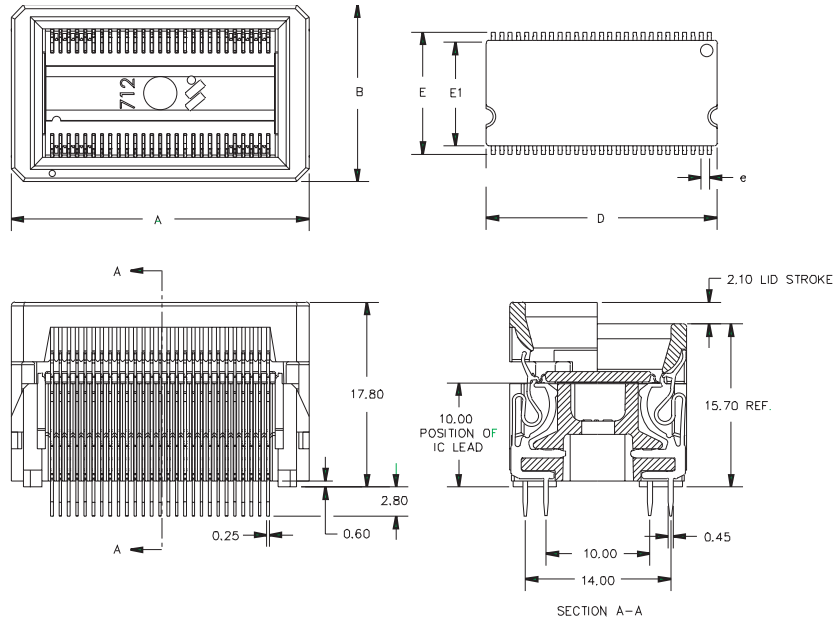


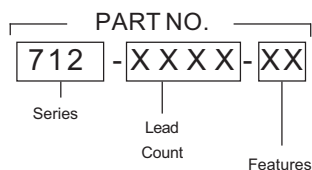
712 Series TSOP-II Socket

- "Compact style" for maximum board density
- Open top Zero Insertion Force design for automatic loading
- Highly reliable, dual pinch, pre-loaded contacts
- Live bug insertion
- For 0.65mm, 0.80mm, and 1.27mm pitch packages
- Lid holding force is 25% less than peak actuation force



Lead Count	Pitch e (mm)	Package Dimensions (mm)			Part Number	Socket Dimensions (mm)	
		Width (E1)	Lead Tip to Tip (E)	Length(D)		Length (A)	Width (B)
32	1.27	10.16	11.76	20.96	712-0032-03	27.18	17.02
50	0.80	10.16	11.76	20.96	712-0050-06	27.18	17.02
54	0.80	10.16	11.76	22.22	712-0054-01	28.70	17.02
66	0.65	10.16	11.76	22.22	712-0066-02	28.70	17.02

DESCRIPTION & ORDERING INFORMATION



MATERIALS & SPECIFICATIONS

- Socket Body: PEI or Equivalent
- Contact: Beryllium Copper Alloy
- Contact Plating: Gold over Nickel
- Contact Normal Force: 40 grams
- Contact Resistance: 50 mΩ
- Dielectric: 600V AC for 2 minutes
- Temperature Rating: 150°C
- Insulation Resistance: 1000 MΩ @ 500V DC
- Durability: 10,000 cycles min.