

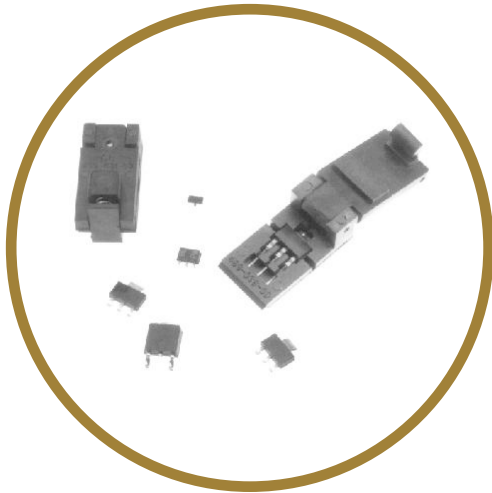


| 499 SERIES

Surface Mount Family of SOT & TO Devices

Features

- Wide product selection
- Gold contact plating
- High temperature materials
- Low insertion force
- Small outlines for greater board density



SPECIFICATIONS

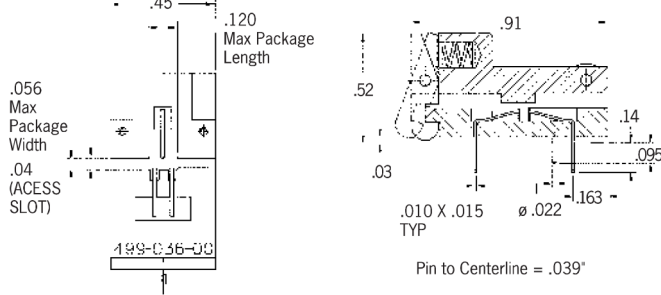
Socket Body	PPS or Equivalent
Contact	Beryllium Copper Alloy of Spinodal
Contact Plating	Gold over Nickel
Contact Resistance	Less than 10 mΩ
Dielectric	1000AV RMs for 1 minute
Temperature Rating	-55°C to +155°C
Current Rating	Exceeds Device



DIMENSIONS

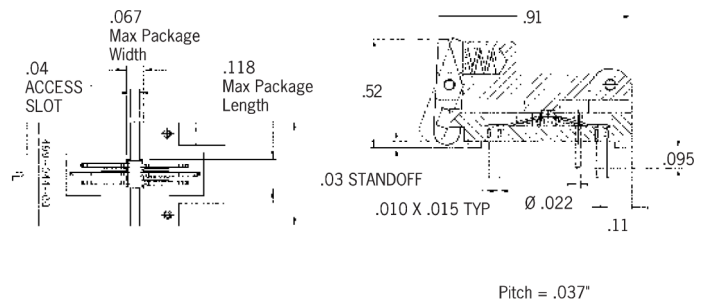
All dimensions shown in inches

499-P36-20 TO-236 3 Lead SOT-23 Sockets

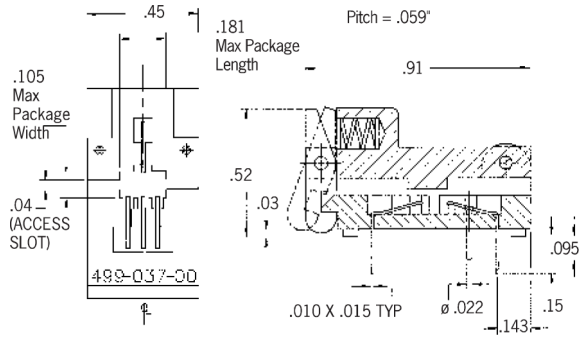


499-P43-20 5 Lead MO-178 Sockets

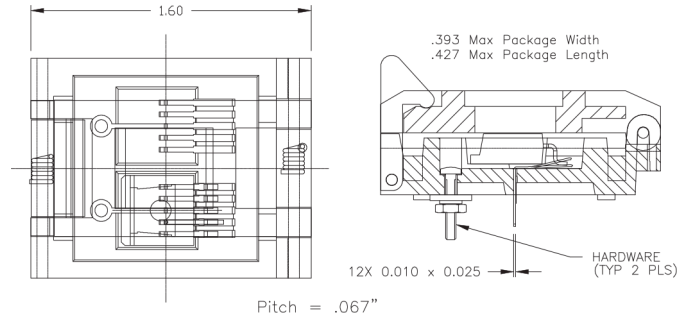
499-P43-20 6 Lead MO-178 Sockets



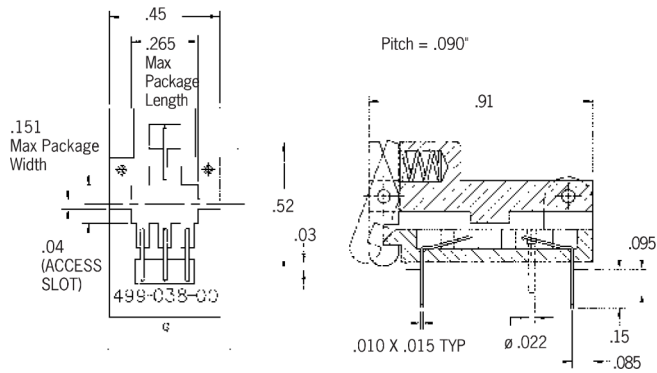
499-P37-20
TO-243 4 Lead SOT-89 Sockets



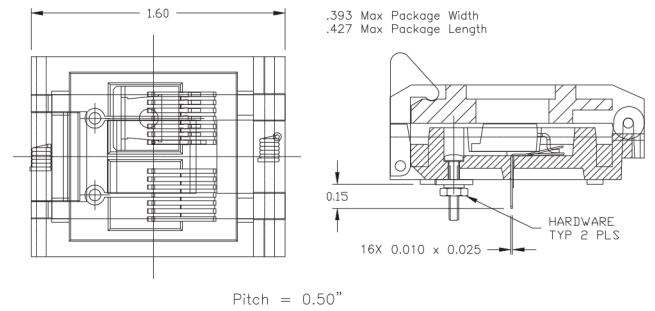
499-042-00
5 Lead TO-263 Sockets



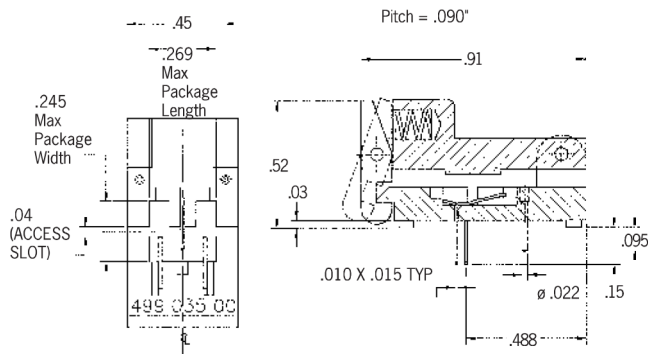
499-P38-20
TO-261 4 Lead SOT-223 Sockets



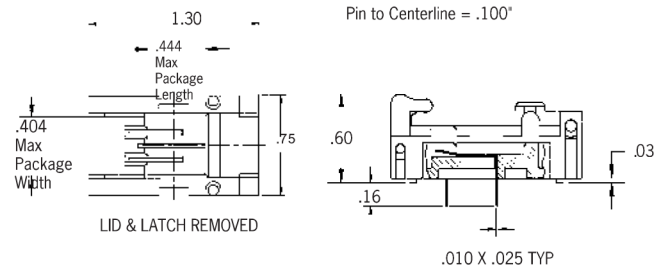
499-041-00
7 Lead TO-263 Sockets



499-P35-20
3 Lead TO-252 (D-Pak) Sockets



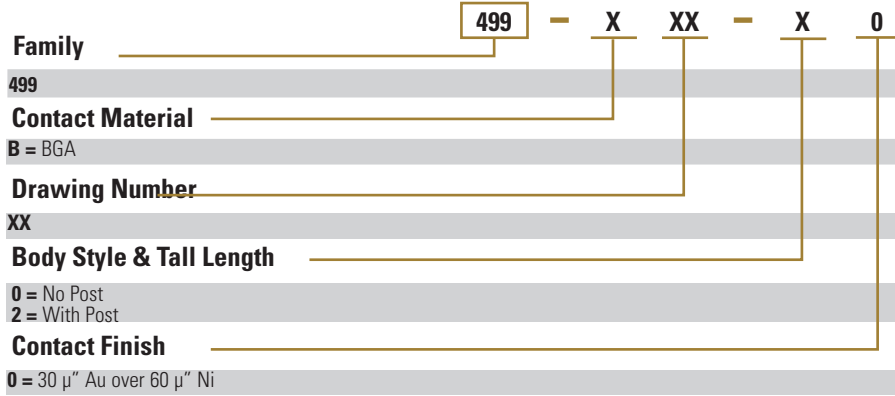
499-040-00
D² Pak Sockets





ORDERING OPTIONS

Example : 773-B04025-XXX



Before installation and operation, ensure that the appropriate pressure sensor has been selected in terms of pressure range, design and specific measuring conditions. Non-compliance can result in serious injury and/or damage to the equipment.

Warning: The product information contained in this catalogue is given purely as information and does not constitute a representation, warranty or any form of contractual commitment. Kavlico reserve the right to modify their products without notice. It is imperative that we should be consulted over any particular use or application of our products and it is the responsibility of the buyer to establish, particularly through all the appropriate tests, that the product is suitable for the use or application. Under no circumstances will our warranty apply, nor shall we be held responsible for any application (such as any modification, addition, deletion, use in conjunction with other electrical or electronic components, circuits or assemblies, or any other unsuitable material or substance) which has not been expressly agreed by us prior to the sale of our products.

Copyright © 2017 Sensata Technologies Inc.

CONTACT US

Americas
+1 (800) 350 2727
sensors@sensata.com

Asia Pacific
sales.isasia@list.sensata.com
China
+86 (21) 2306 1500
Japan
+81 (45) 277 7117

Korea
+82 (31) 601 2004
India
+91 (80) 67920890
Rest of Asia
+886 (2) 27602006 ext 2808

www.sensata.com