



PRODUCT DESCRIPTION

Plastronics has taken a leadership role in designing and developing socket solutions for the newest QFN packages such as MLF, BCC and LPCC. These sockets offer a modular design in a small outline with very low inductance. The new Open Top QFN socket allows for more convenient package loading and unloading in most of the same lead count options as the lidded version.

SPECIFICATIONS (mm)

Available in .40, .50, .65, .80 and 1.00 mm pitches

Custom pitches down to .30 mm

Lidded and Open Top Sockets for ≤ 10 mm packages

Lidded Sockets for 10 - 16 mm packages

Center ground pin standard for all sockets

Optional copper heat slug available for high wattage devices

Sockets for over 80 different JEDEC standard footprints

MECHANICAL PROPERTIES

- | | |
|----------------------------|-----------------------------|
| • Mounting Method to Board | Thru-hole Mount |
| • Socket Operation | Clamshell lid; ZIF Open Top |
| • Operating Temperature | -50° C to +150° C |
| • Contact Force | 30 +/- 5 gf |
| • Life Cycles | 5,000 Mechanical Cycles |

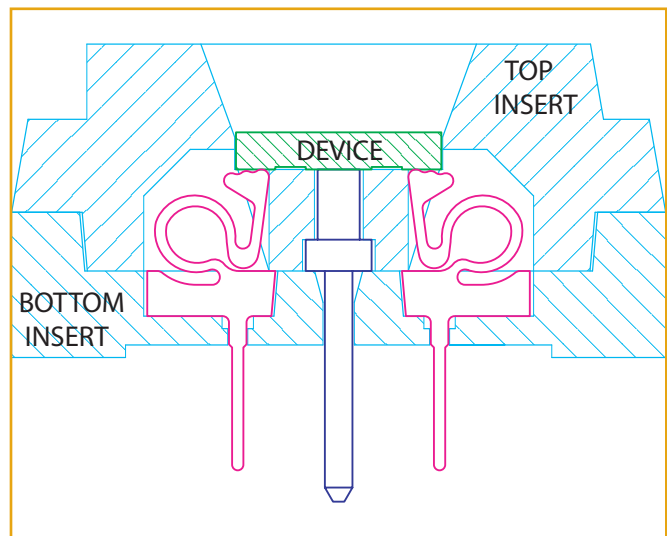
PHYSICAL PROPERTIES

- | | |
|-------------------------|--------------------------|
| • Plastic Body | PPS |
| • Contact Base Metal | BeCu |
| • Contact Plating | Au over Ni; NiB optional |
| • Center Pin Base Metal | Brass; Cu optional |
| • Center Pin Plating | Au; NiB optional |
| • Springs, Torsion/Coil | Passivated S.S. |

ELECTRICAL PROPERTIES

- | | |
|-------------------------|---|
| • Contact Resistance | < 50 mOhms |
| • Inductance | 3 nH |
| • Current Rating | .5A with 30°C rise, 1.0A with 75°C rise |
| • Volume Resistivity | 1×10^{15} Ohm-cm |
| • Insulation Resistance | 560 V/mil |

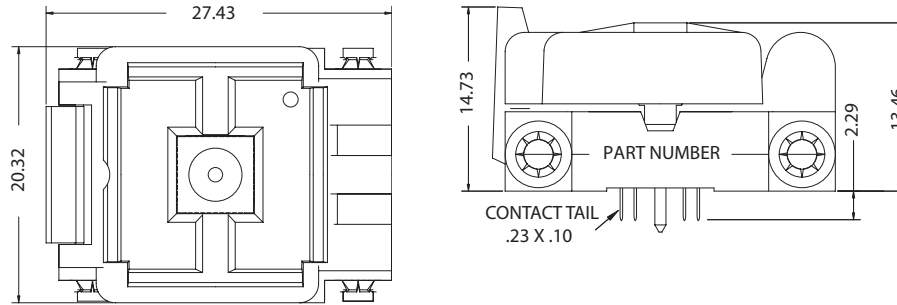
CONTACT TECHNOLOGY



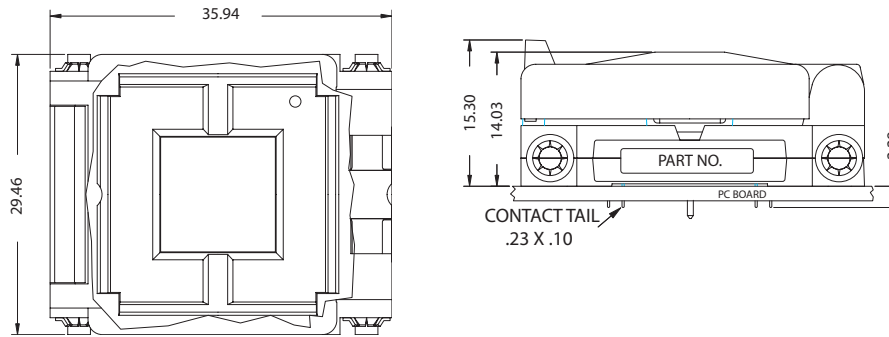
QFN OFFERINGS

Plastronics offers over 140 QFN socket options.
For a complete list, please visit our website at www.PlastronicsUSA.com.

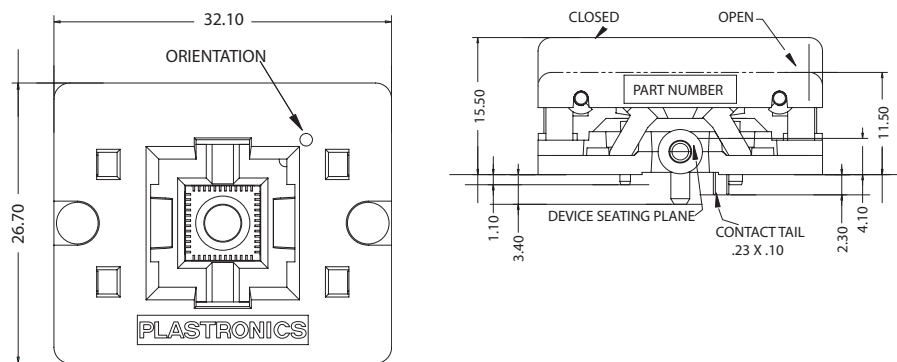
LIDDED BODY SIZE ≤ 10 mm



LIDDED BODY SIZE 10 - 16 mm



OPEN TOP BODY SIZE ≤ 10 mm



All units in mm unless otherwise noted.

PLASTRONICS

Plastronics Socket Company
2601 Texas Drive Irving, TX 75062
800-582-5822 Fax 800-582-5890
www.PlastronicsUSA.com